



WSM10L

10-Quart Planetary Mixer



10-Quart Planetary Mixer

Luna¹⁰



MAIN FEATURES

- Large, 10-quart stainless steel bowl with stainless steel handle
- Heavy duty, ¾ HP induction motor
- Side-mounted controls
- 3 mixing speeds
- Heavy-duty bowl-lift lever
- Gear driven, permanent lube transmission
- Thermal overload protection
- Includes stainless steel bowl, chef's whisk, dough hook and aluminum mixing paddle
- Specifically designed for countertop use
- Non-slip rubber feet
- Limited Two-Year Motor Warranty, One Year Parts & Labor

SALES FEATURES

Equipped with a powerful ¾ HP motor, this heavy-duty, 10 qt. planetary mixer is perfect for foodservice operations in need of a dependable mixing solution. Quickly mix ingredients for baked goods and desserts. Power through batters, mashed potatoes, and more. The variable control with 3 mixing speeds ensures efficiency and versatility. The gear-driven design with thermal overload protection makes this mixer especially reliable.

ELECTRICAL

Voltage: 120

Frequency: 60Hz

Watts: 450

Amps: 6.8

Plug Type: NEMA 5-15P ⓘ

Cord Length: 6 feet



@waringcommercial

©2019 Waring Commercial
 314 Ella T. Grasso Avenue, Torrington, CT 06790
 Tel. 800-492-7464 • Fax 860-496-9008

waringcommercialproducts.com

WSM10L



PARTS & ACCESSORIES



WSM10LMP Aluminum Mixing Paddle



WSM10LW Stainless Steel Chef's Whisk

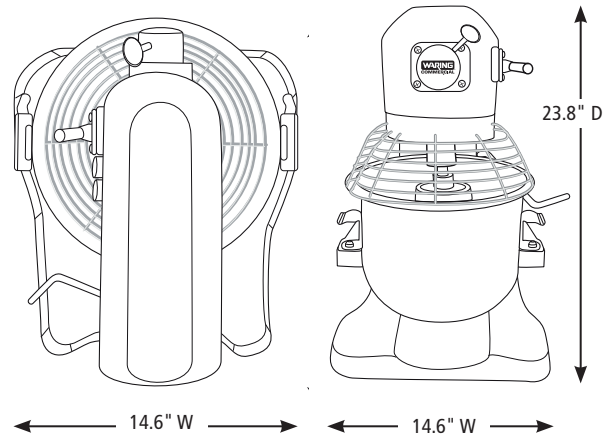
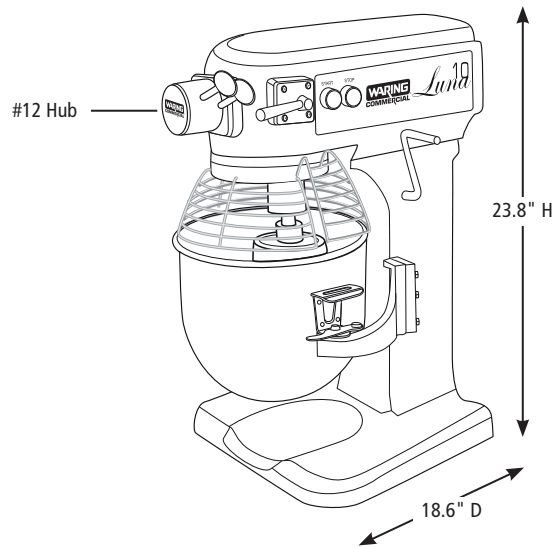


WSM10LSH Stainless Steel Dough Hook

image to come

WSM10LBL 10-Quart Stainless Steel Bowl

DIMENSIONS



Out of Box Weight: 88 lb.

ORDERING INFORMATION	#STD. PKG.	GIFTBOX WEIGHT	CUBIC FEET	BOX DIMENSIONS D X W X H	UPC	CASE PKG.	MC WEIGHT	MC DIMENSIONS D X W X H	MBC
WSM10L – 10-Quart Planetary Mixer	1	119	6.9	21.625" x 18.125" x 30.75"	040072087820	1	119	21.625" x 18.125" x 30.75"	10040072087827



@waringcommercial

©2019 Waring Commercial
314 Ella T. Grasso Avenue, Torrington, CT 06790
Tel. 800-492-7464 • Fax 860-496-9008

waringcommercialproducts.com

19WC064944/ REV 09/19